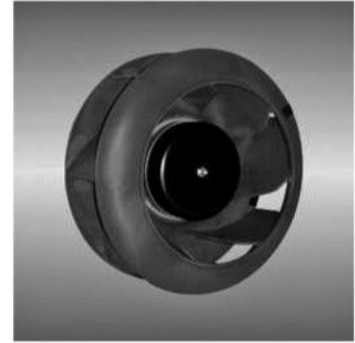


225 BG series

Ø220X99mm



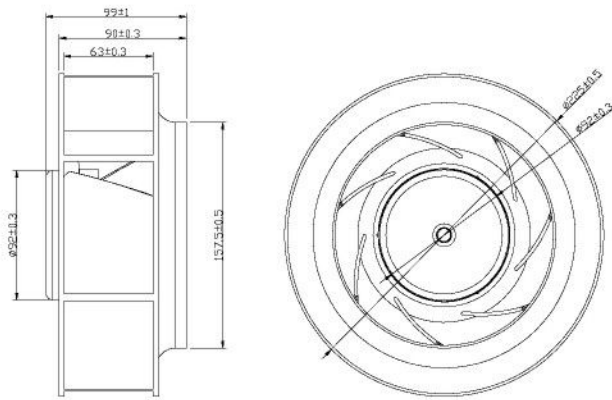
● General Specification

- Motor / DC brushless motor
 - Material / Frame : die cast aluminum
 - Impeller : plastic(94V-0)
 - Bearing / Two ball precision bearing
 - Insulator class "B"
 - Weight / 1.5kg
- 馬達 / 直流三相無刷馬達
 - 材質 / 框：鋁合金壓鑄；
葉：塑膠 (94V-0)
 - 軸承 / 雙滾珠精密軸承
 - 絕緣等級 "B"
 - 重量 / 1.5kg

● Specification / 詳細規格

Model	Bearing System	Rated Voltage	Rated Current	Rated Speed	Maximum Air Flow		Maximum Static Pressure		Sound Level	P-Q Curve
Part No.	B / S / F	V	A	RPM	m ³ /hr	CFM	Pa	In-H ₂ O	dBA	No.
BGN22599B24M	B	24	4.5	2700	1160	683	530	2.13	67	①
BGN22599B48H	B	48	2.3	2700	1160	683	530	2.13	67	①

● Drawing / 外觀尺寸



unit:mm

● Characteristic Curves / 特性曲線

